



342 N. Co. Rd. 400 East  
Valparaiso, IN 46383  
219-464-8818 • Fax 219-462-7985  
[www.heatwagon.com](http://www.heatwagon.com)

## Installation and Maintenance Manual

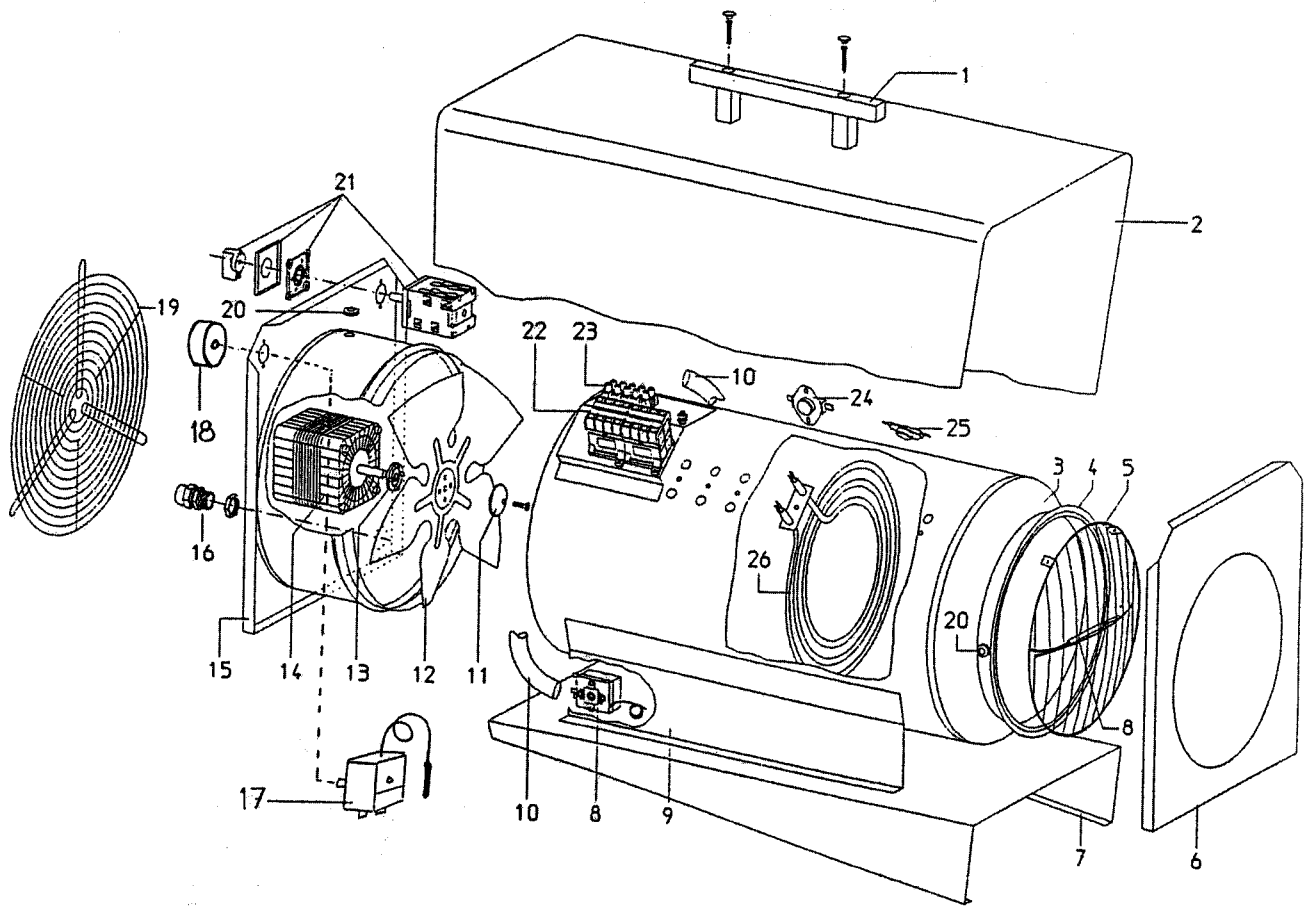
Please retain this manual for future reference.

# **P1800**

## ***Construction Heater***



*For your safety: Do not use this heater in a space where gasoline or other liquids having flammable vapors are stored.*



Item	Part No.	Description
1	HWP 180001	HANDLE
2	HWP 180002	HOOD
3	HWP 180003	AIR CONE
4	HWP 180004	GASKET
5	HWP 180005	FRONT GRILL
6	HWP 180006	FRONT PANEL
7	HWP 180007	BOTTOM PLATE
8	HWP 180008	GUARD THERMOSTAT
9	HWP 180009	BRACKET
10	HWP 180010	WIRE CONDUIT
11	HWP 180011	FAN HUB CAP & BOLT
12	HWP 180012	FAN BLADE
13	HWP 180013	FAN HUB
14	HWP 180014	FAN MOTOR
15	HWP 180015	REAR PANEL
16	HWP 180016	STRAIN RELIEVER
17	HWP 180017	AMBIENT THERMOSTAT
18	HWP 180018	THERMOSTAT KNOB
19	HWP 180019	REAR GRILL
20	HWP 180020	WIRE BUSHING
21	HWP 180021	MAIN SWITCH ASSY.

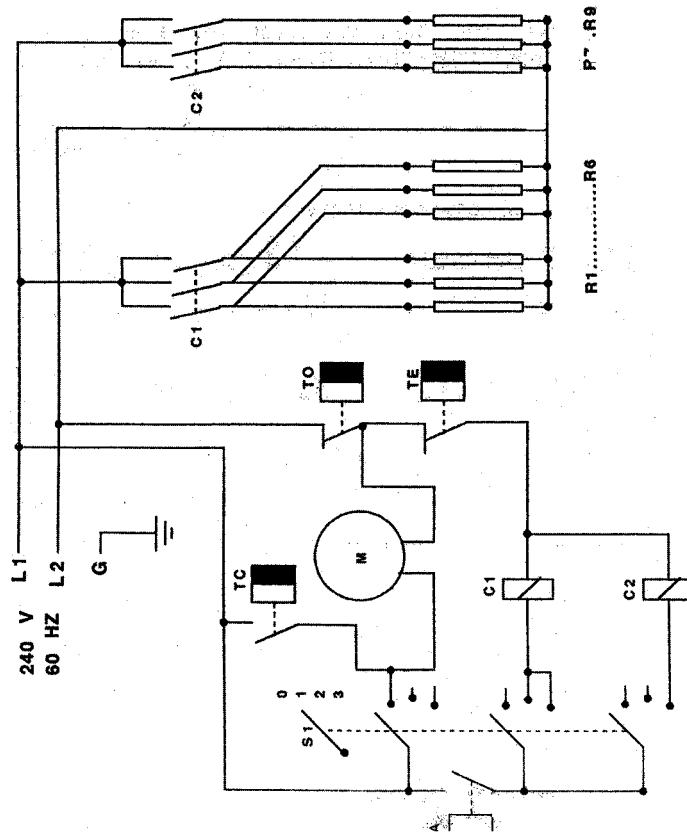
Item	Part No.	Description
22	HWP 180022	CONTRACTOR
23	HWP 180023	TERMINAL BLOCK
23A	HWP 180023A	TERMINAL BLOCK PACK
24	HWP 180024	OVERHEAT LIMIT SWITCH
25	HWP 180025	UNIT COOLDOWN SWITCH
26	HWP 180026	HEATING ELEMENT

See wiring diagram for electric parts

Parts Not Shown

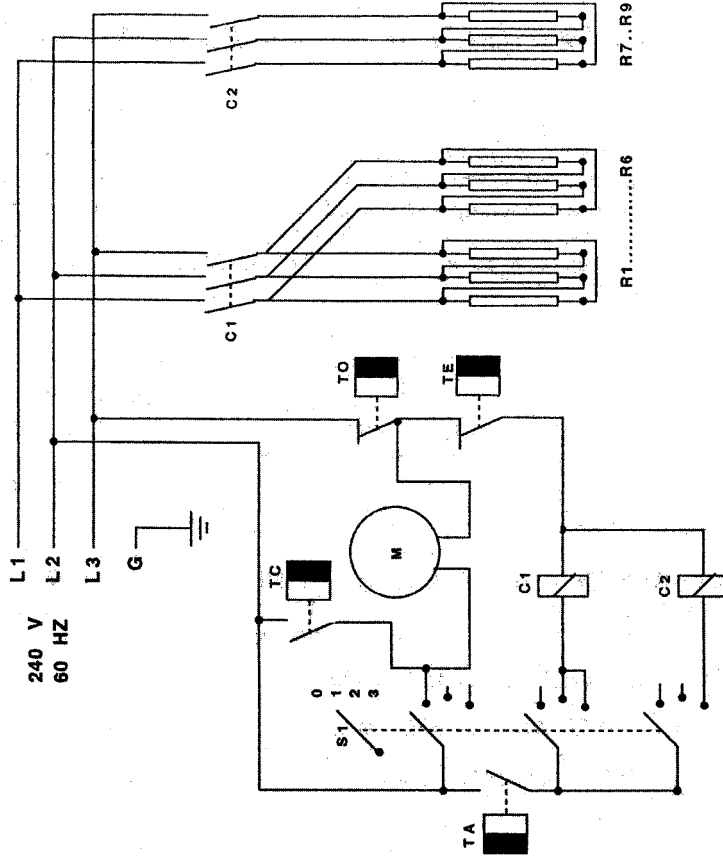
HWP 180027	CIRCUIT BREAKERS
HWP 180032	HOOD INCLUDES CONNECTION HATCH P1800
HWP 180033	FAN HUB, PLASTIC FOR P1800
HWP 180034	TERMINAL BLOCK P1800
HWP 180035	CONNECTION HATCH P1800
HWP 36616	LOCKING CLAMP FOR X1
HWP 37910	PLASTIC BRACKET
HWP 330	SPEC SHEETS
HWP 375	OPERATORS MANUAL

WIRING DIAGRAM HEAT WAGON P1800  
SINGLE PHASE



- C1, C2 = CONTACTORS & COILS
- M = FAN MOTOR
- S1 = MAIN SWITCH
- TA = AMBIENT THERMOSTAT
- TO = OVERHEAT LIMIT SWITCH
- TE = OUTLET AIR THERMOSTAT
- TC = UNIT COOLDOWN THERMOSTAT
- R1 . . .R9 = HEATING ELEMENTS

WIRING DIAGRAM HEAT WAGON P1800  
THREE PHASE



- C1, C2 = CONTACTORS & COILS
- M = FAN MOTOR
- S1 = MAIN SWITCH
- TA = AMBIENT THERMOSTAT
- TO = OVERHEAT LIMIT SWITCH
- TE = OUTLET AIR THERMOSTAT
- TC = UNIT COOLDOWN THERMOSTAT
- R1 . . .R9 = HEATING ELEMENTS

