



342 N. Co. Rd. 400 East
Valparaiso, IN 46383
219-464-8818 • Fax 219-462-7985
www.heatwagon.com

Installation and Maintenance Manual

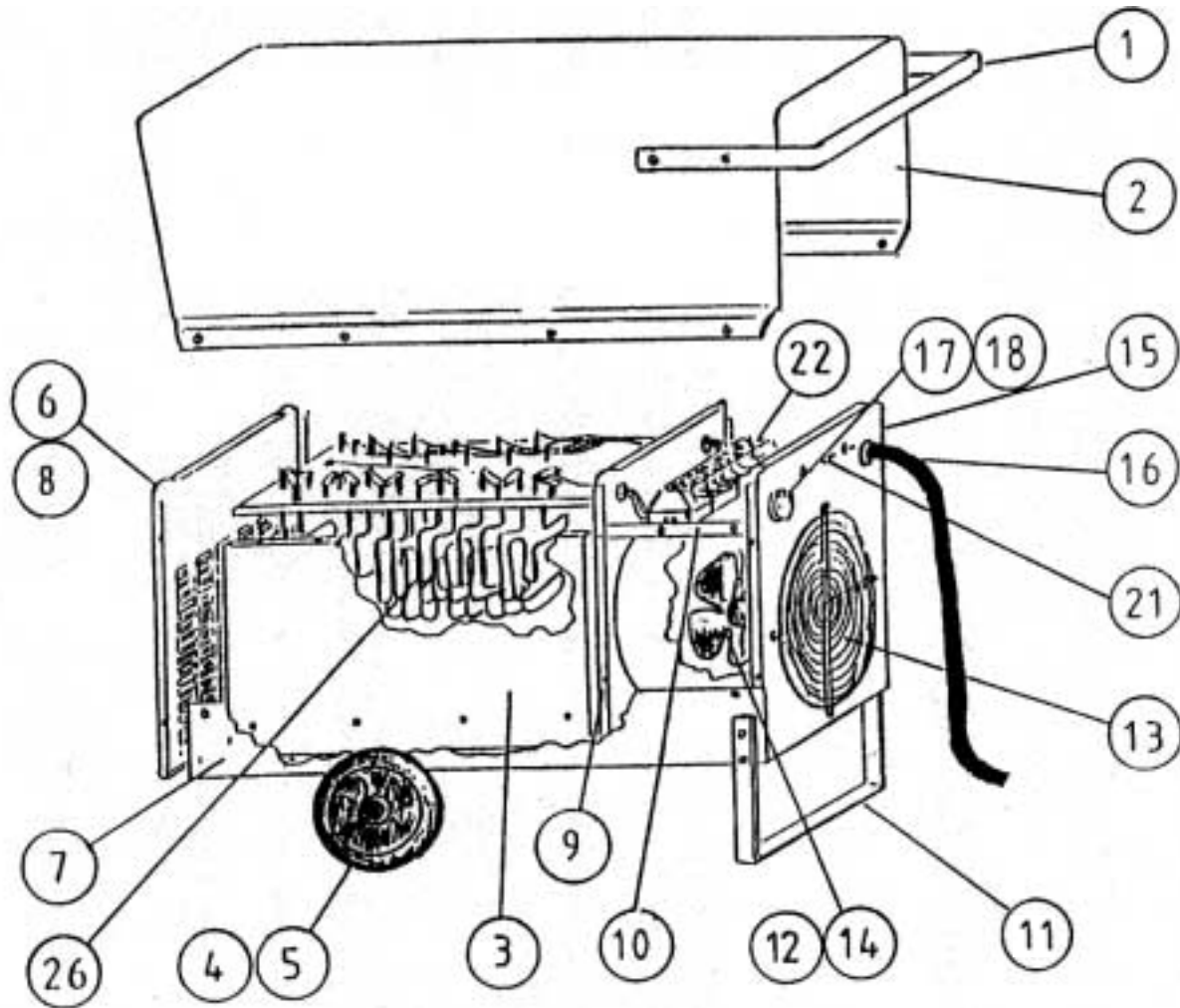
Please retain this manual for future reference.

P4000

Construction Heater



For your safety: Do not use this heater in a space where gasoline or other liquids having flammable vapors are stored.



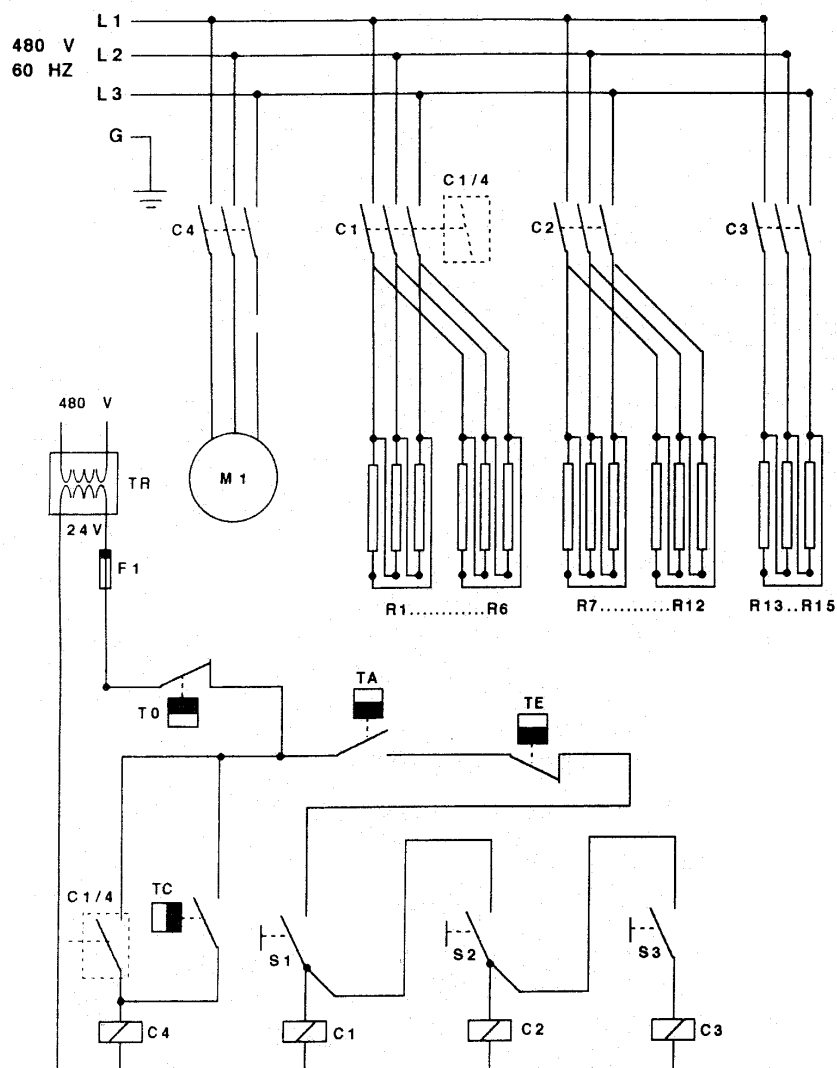
Item	Part No.	Description
1	HWP 400001	HANDLE
2	HWP 400002	HOOD
3	HWP 400003	HEAT EXCHANGE CHAMBER
4	HWP 400004	WHEEL ASSEMBLY
5	HWP 400005	WHEEL SHAFT
6	HWP 400006	FRONT PANEL
7	HWP 400007	BOTTOM FRAME
8	HWP 400008	GUARD THERMOSTAT
9	HWP 400009	BRACKET
10	HWP 400010	CONTACTOR MOUNTING PLATE
11	HWP 400011	REAR LEG
12	HWP 400012	FAN BLADE
13	HWP 400019	FAN GUARD GRILL
14	HWP 400014	FAN MOTOR
15	HWP 400015	REAR PANEL

Item	Part No.	Description
16	HWP 400016	STRAIN RELIEVER
17	HWP 400017	AMBIENT THERMOSTAT
18	HWP 400018	THERMOSTAT KNOB
21	HWP 400021	SWITCHES
22	HWP 400022	CONTACTORS
26	HWP 400026	HEATING ELEMENT

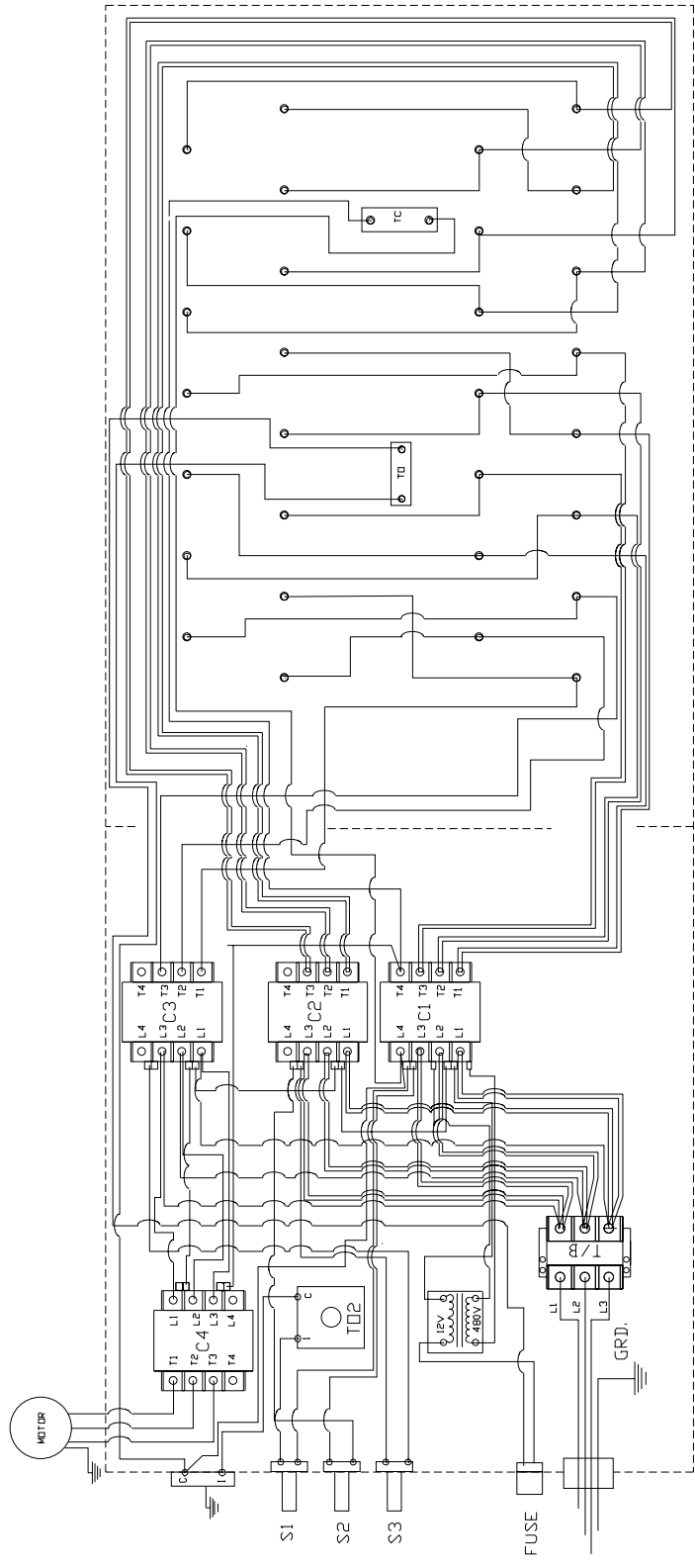
See wiring diagram for electric parts

Parts Not Shown		
	HWP 400020	WIRE BUSHING
	HWP 400027	CONNECTION HATCH
	HWP 400028	FUSE
	HWP 36615	TERMINAL BOARD (QTY. 3 NEEDED)

480 Volt 60 Hz 3 PH



TR	Transformer	S2	Control Switch (For Output +16KW)
F1	Fuse	S3	Control Switch (For Output +8KW)
M1	Fan Motor	C1	Contactor & Coil (For Output 16KW)
TO	Overheat Limit Switch	C2	Contactor & Coil (For Output +16KW)
TA	Ambient Thermostat	C3	Contactor & Coil (For Output +8KW)
TE	Outlet Air Thermostat	C4	Fan Contactor
TC	Unit Cooldown Thermostat	C 1/4	Pole 4 of Contactor C1
S1	Control Switch (For Output 16KW)	R1...R15	Heating Elements 2.7 KW Each



HEAT WAGON	MODEL
DATE OF DRAWING	FROM TO
P40CWD	1994 CURR.