



342 N. Co. Rd. 400 East
Valparaiso, IN 46383
219-464-8818 • Fax 219-462-7985
www.heatwagon.com

Installation and Maintenance Manual

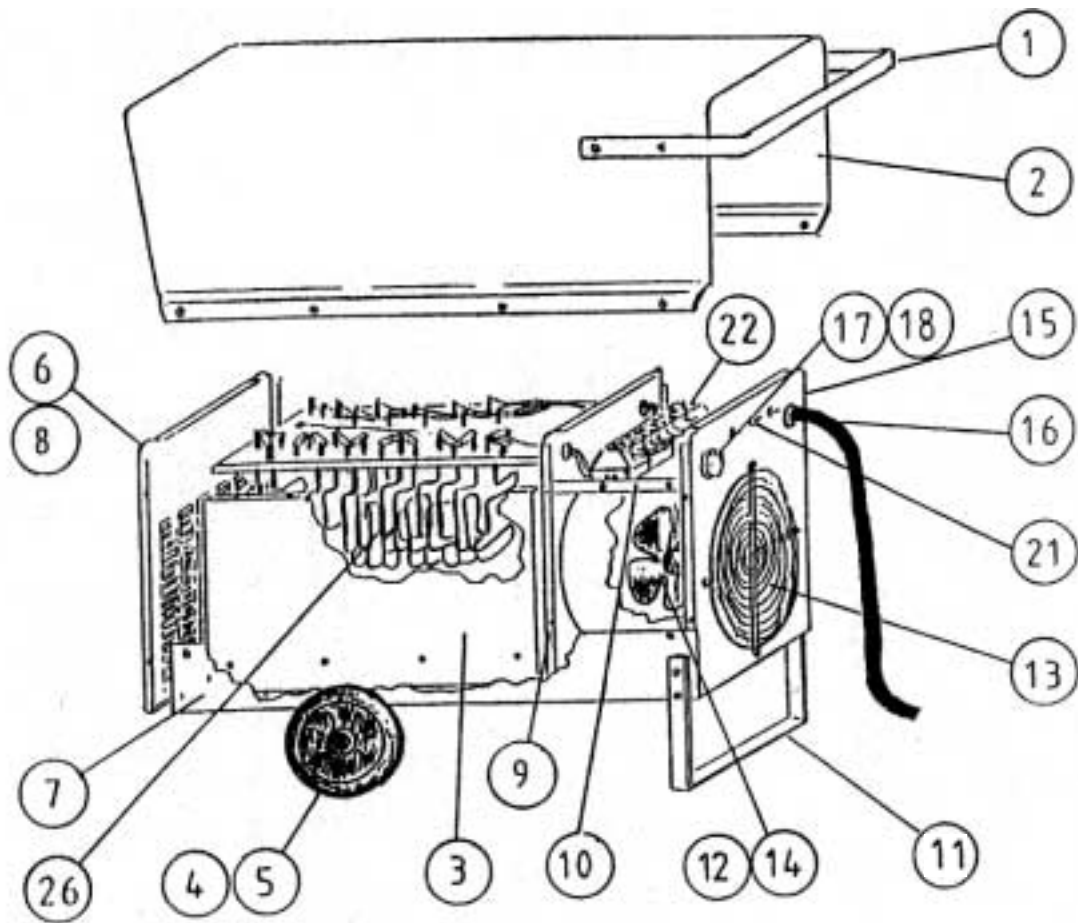
Please retain this manual for future reference.

P6000

Construction Heater



For your safety: Do not use this heater in a space where gasoline or other liquids having flammable vapors are stored.

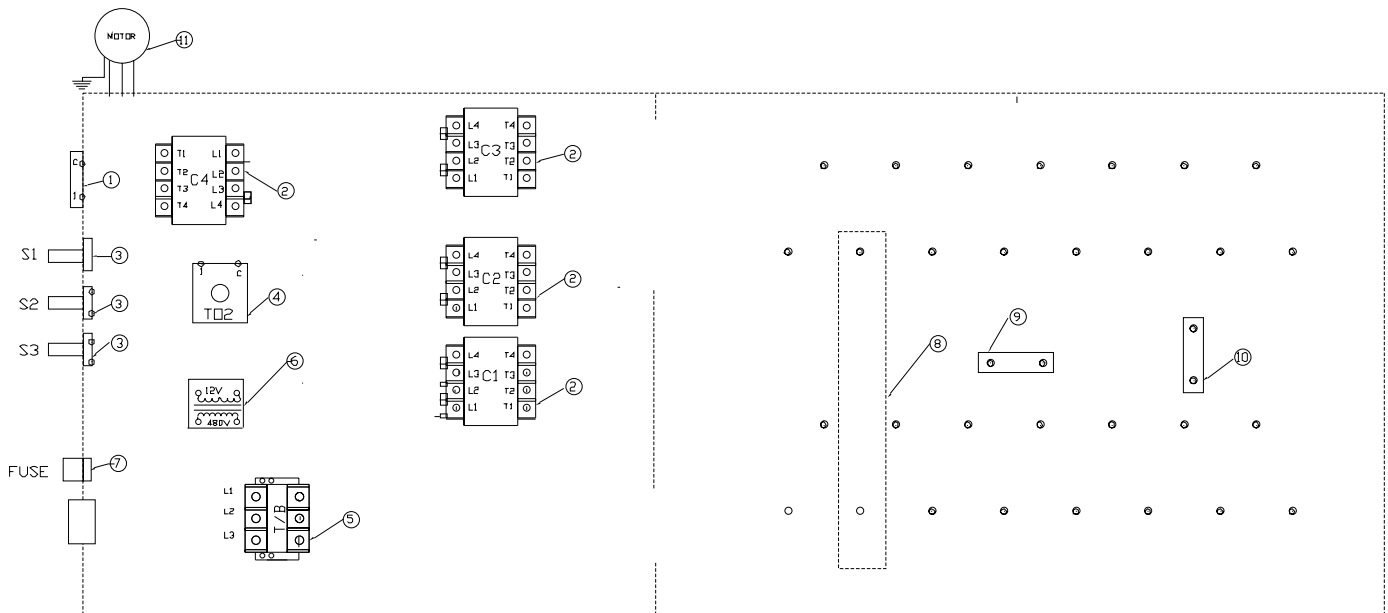


Item	Part No.	Description
1	HWP 400001	HANDLE
2	HWP 600002	HOOD
3	HWP 600003	HEAT EXCHANGE CHAMBER
4	HWP 400004	WHEEL ASSEMBLY
5	HWP 400005	WHEEL SHAFT
6	HWP 400006	FRONT PANEL
7	HWP 400007	BOTTOM FRAME
8	HWP 400008	GUARD THERMOSTAT
9	HWP 400009	BRACKET
10	HWP 400010	CONTACTOR MOUNTING PLATE
11	HWP 400011	REAR LEG
12	HWP 400012	FAN BLADE
13	HWP 400019	FAN GUARD GRILL
14	HWP 400014	FAN MOTOR
15	HWP 400015	REAR PANEL

Item	Part No.	Description
16	HWP 400016	STRAIN RELIEVER
17	HWP 400017	AMBIENT THERMOSTAT
18	HWP 400018	THERMOSTAT KNOB
21	HWP 400021	SWITCHES
22	HWP 400022	CONTACTORS
26	HWP 600026	HEATING ELEMENT

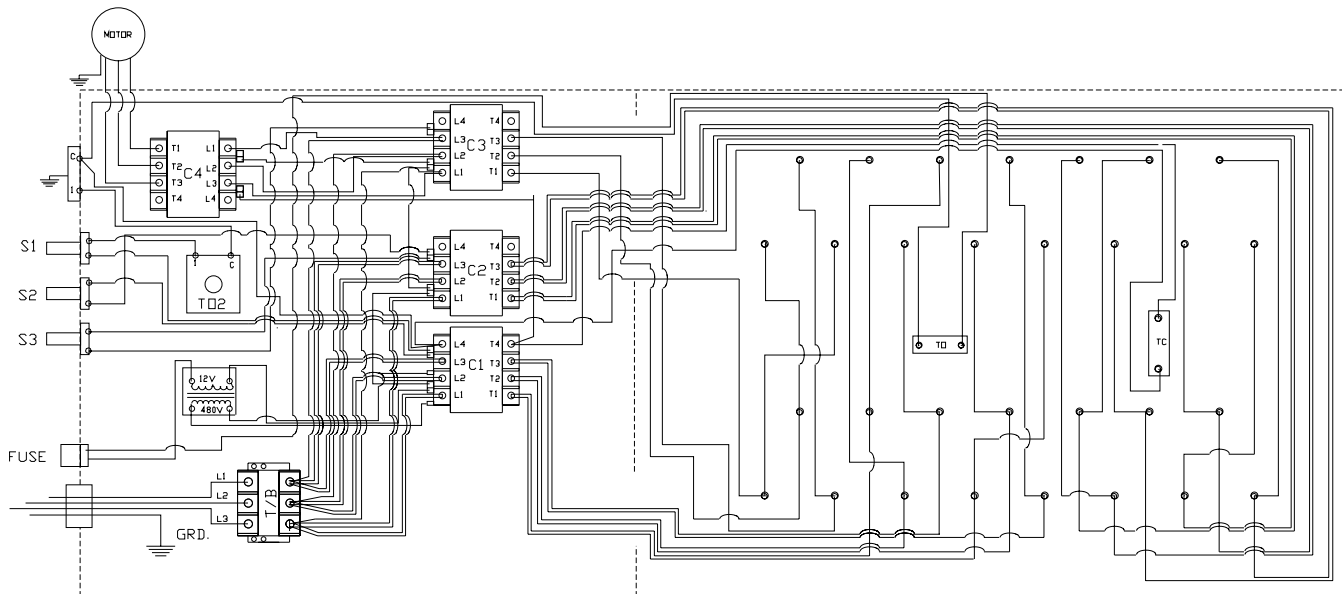
See wiring diagram for electric parts

Parts Not Shown		
HWP 60E	P6000 BODY	
HWP 340	P6000 SPECS	
HWP 385	OPERATOR'S MANUAL	
HWP 36615	TERMINAL BOARD	(QTY. 3 NEEDED)

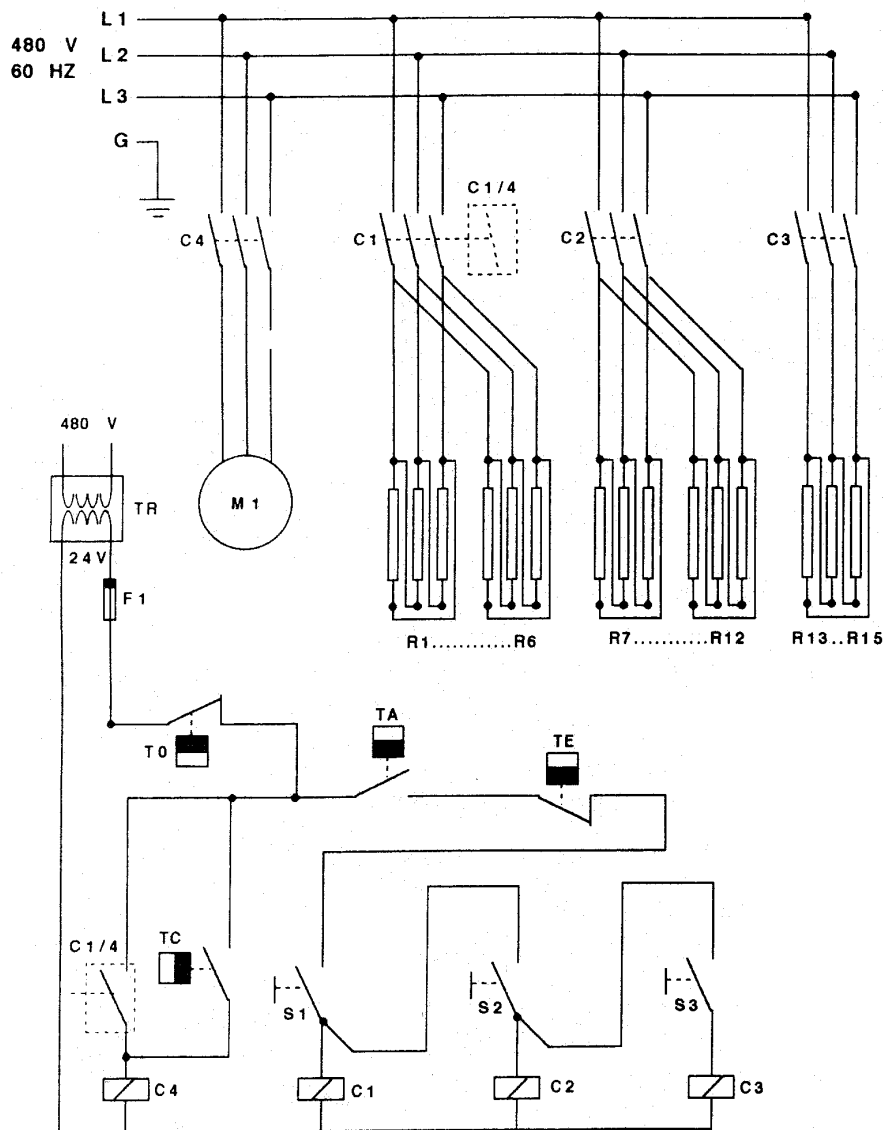


Item	Part No.	Description	Item	Part No.	Description
1	HWP 400017	AMBIENT THERMOSTAT	7	HWP PEF1	FUSE
2	HWP 400022	CONTACTORS	8	HWP 600026	HEATING ELEMENT
3	HWP 400021	SWITCH	9	HWP 180024	OVERHEAT LIMIT SWITCH
4	HWP PETE	OUTLET AIR THERMOSTAT	10	HWP 180025	UNIT COOLDOWN T-STAT
5	HWP 36615	TERMINAL BLOCK	11	HWP 400014	FAN MOTOR
6	HWP PETR	TRANSFORMER			

480 VOLT 60Hz 3 PH



HEAT WAGON	MODEL P60000
DATE OF DRAWING 1998	FROM TO
P60CWD	1994 CURR.



- | | |
|-----------|-------------------------------------|
| TR | TRANSFORMER 480 / 24 VOLTS AC |
| F1 | FUSE |
| M1 | FAN MOTOR |
| T0 | OVERHEAT LIMIT SWITCH |
| TA | AMBIENT THERMOSTAT |
| TE | OUTLET AIR THERMOSTAT |
| TC | UNIT COOLDOWN THERMOSTAT |
| S1 | CONTROL SWITCH (FOR OUTPUT 24 KW) |
| S2 | CONTROL SWITCH (FOR OUTPUT +24KW) |
| S3 | CONTROL SWITCH (FOR OUTPUT +12KW) |
| C1 | CONTACTOR & COIL (FOR OUTPUT 24KW) |
| C2 | CONTACTOR & COIL (FOR OUTPUT+24KW) |
| C3 | CONTACTOR & COIL (FOR OUTPUT +12KW) |
| C4 | FAN CONTACTOR |
| C1/4 | POLE 4 OF CONTACTOR C1 |
| R1....R15 | HEATING ELEMENTS 4 KW EACH |