



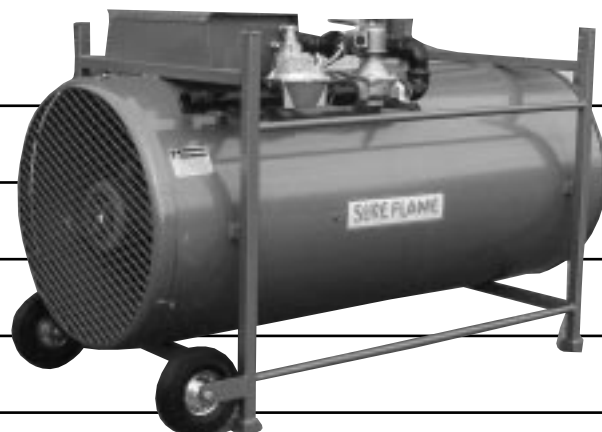
342 N. Co. Rd. 400 East
Valparaiso, IN 46383
219-464-8818 • Fax 219-462-7985
www.heatwagon.com

Installation and Maintenance Manual

Please retain this manual for future reference.

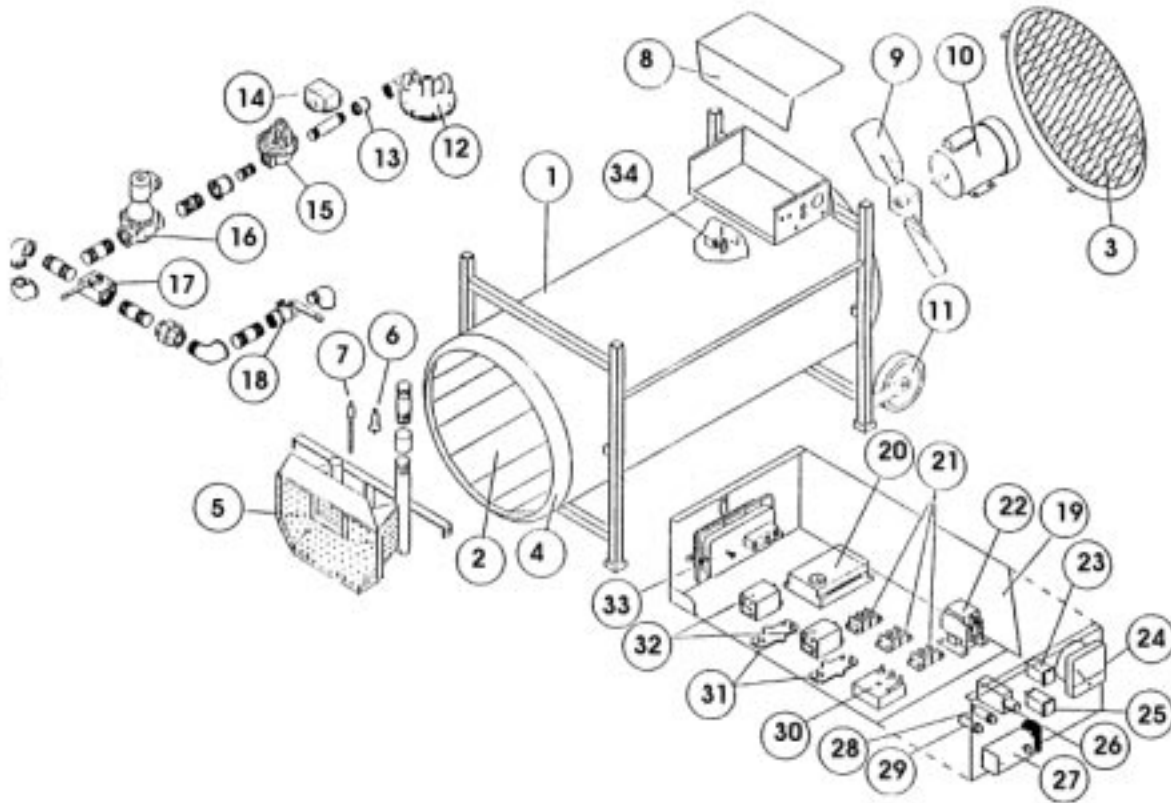
S1505

*Construction
Heater*



For your safety: Do not use this heater in a space where gasoline or other liquids having flammable vapors are stored.

S1505 HEATER PARTS

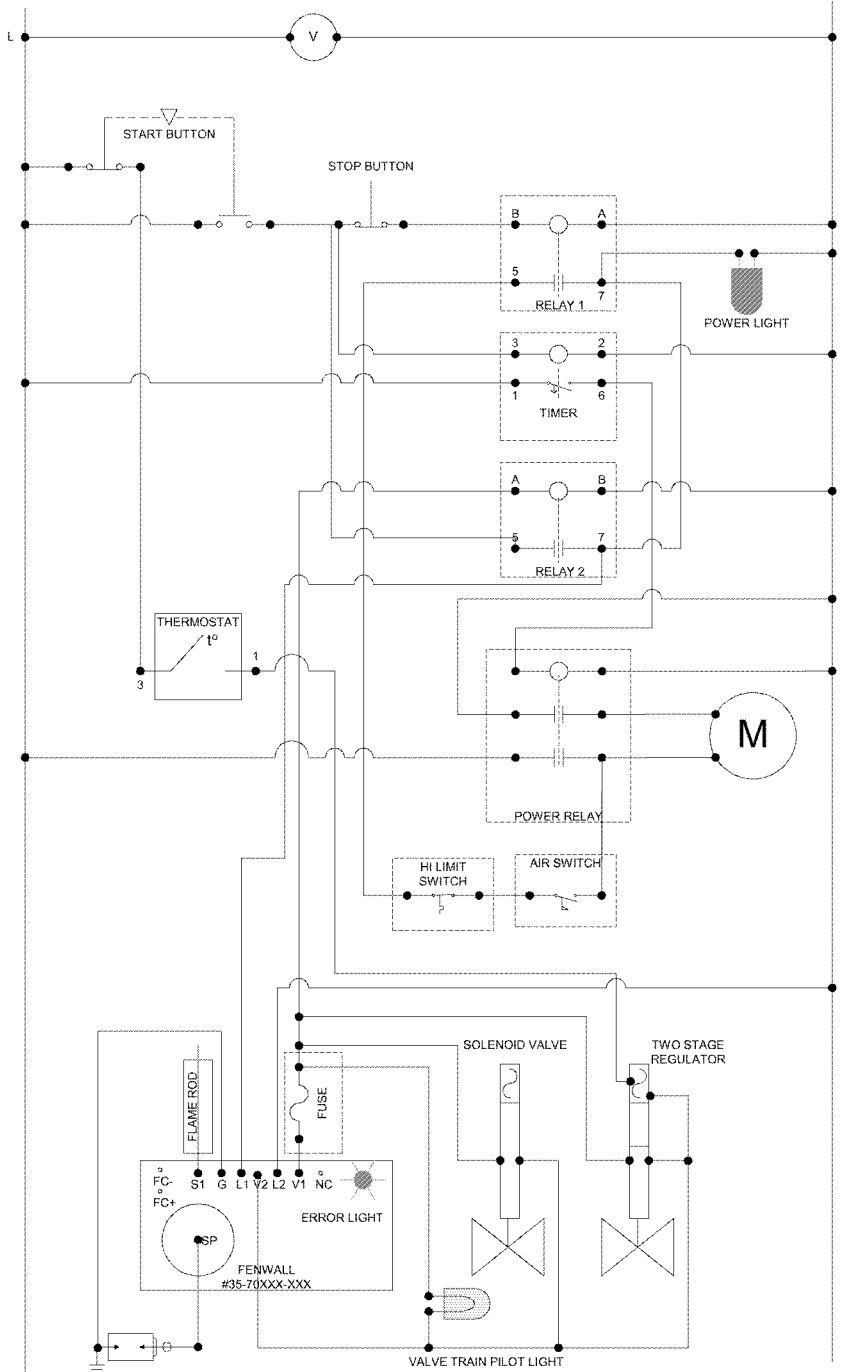


Item	Part No.	Description
1	SFP S1505-55	Heater Body Includes:2,4,5
	SFP S1505-56	Heater Body Includes:2, 4
2	SFP SL11B-90	Heat Shield
3	SFP SL11B-53	Screen
4	SFP SL11B-13	Nose Cone
5	SFP BV85-50	Burner
6	SFP 2143	Spark Plug
7	SFP SL11B-86	Flame Rod
8	SFP SL11B-35	Control Box Cover
9	SFP 2423	24" Fan Blade
10	SFP 2432	1 HP Electric Motor
11	SFP 6119	8" Semi Pneumatic Wheel
12	SFP 2526	Regulator (Optional)
13	SFP S1500-83	1.25" Strainer
14	SFP 4509	Gas Pressure Switch
15	SFP 4490	1.25" 2 Stage Regulator Valve
16	SFP 2537	1.5" Solenoid Valve
17	SFP S1505-81	1.5" Gas Selector Valve
18	SFP 2539	1.5" Manual Shut-Off valve
19	SFP SL11B-58	Control Box
20	SFP 7462	Ignition Control Module

Item	Part No.	Description
21	SFP 5768	Terminal Block (3)
22	SFP 2436	Motor Starting Relay
23	SFP 3337G	ON Switch (Green)
24	SFP 5989	Voltmeter
25	SFP 3337R	OFF Switch (Red)
26	HWP HC1002	Circuit Breaker for item 20
27	SFP 2453	Thermostat
28	SFP 2506	Red Light
29	SFP 2505	White Light
30	SFP 5988	10-Second delay ON break timer
31	SFP 6440	Relay Clip
32	SFP 4512	Control Relay with clip
33	SFP 5355	Airswitch (0.5" W.C.)
34	SFP 2446	Hi Limit Thermoswitch

Parts Not Shown
 DECDK1505 Decal Kit for S1505

S1505 SCHEMATIC WIRING DIAGRAM



S1505 Manual 934-5730 -

